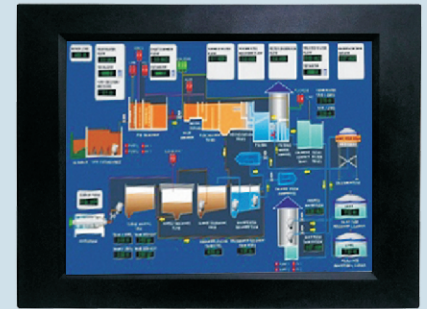


PC6150

15" Fanless Panel PC with Intel® Atom™ E3845 Processor

PC6150 is a new 15" Panel PC equipped with an Intel® Atom™ E3845 Quad-core Processor, the fanless design of PC6150 makes it more reliable in different applications for the machine industry.

In addition, 2 x serial ports, 4 x USB ports and dual Gigabit Ethernet LAN ports make it easier to connect to different devices and be integrated into system solutions. Thermal stability, Shock and vibration resistance and compliance to EMC standards is standard feature of PC6150.



SALIENT FEATURES

- 15" XGA TFT LED Panel with Resistive Touchscreen
- Embedded Intel® Atom™ E3845 Processor, Quad-core, 1.91 Ghz
- Supports one internal SATA 2.5" SSD/HDD and 1 mSATA port
- System memory up to 8 GB DDR3L 1066/1333 SDRAM
- Fanless design
- RS-232/422/485 selectable through BIOS
- Windows 7/8/10 support

SPECIFICATIONS

SYSTEM

CPU	Intel Atom E3845 Quadcore 1.91 GHz Processor
Chipset	Valleyview SOC integrated
BIOS	AMI

DISPLAY

Type	XGA TFT LED Panel
Size	15"
Resolution	1024 x 768
Colors	16M
Brightness (cd/m ²)	400
Contrast Ratio	1500
Backlight Life	50,000 hours

GRAPHICS

Controller	Intel® HD Graphics
Display Mode	2 independent displays

MEMORY

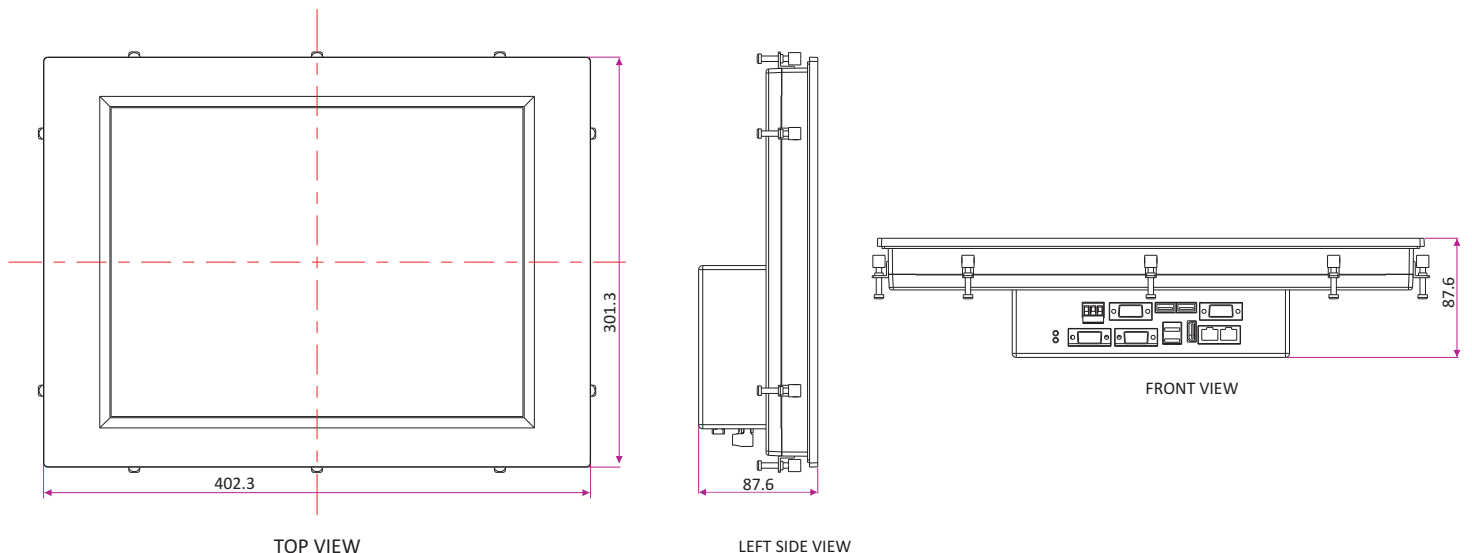
Technology	DDR3
Capacity	Up-to 8 GB DDR3L
Socket	SO-DIMM

STORAGE

SATA	2.5" SATA SSD / HDD
------	---------------------

TOUCHSCREEN	
Light Transmission	>80%
Type	Analog Resistive
HARDWARE MONITOR	
Watchdog Timer	1 sec to 65535 sec
EXPANSION SLOTS	
1 x mPCle (half size), 1 x mPCle (full size)	
INTERFACES	
Serial Ports	1 x RS232, 1x RS232 / RS422 / RS485
Ethernet	2 x 10/100/1000 Mbps
USB	1 x USB 3.0, 3 x USB 2.0
External Display	1 x HDMI (up to 1920 x 1200), 1 x VGA
ENVIRONMENT	
Operating Temperature	0~50°C
Storage Temperature	-40~75°C
Humidity	10~90% RH, non condensing
Ingress Protection	IP66 for front panel mounting
Vibration Protection	5~150 Hz, 1g peak, (X, Y, Z)
SUPPORTED OPERATING SYSTEM	
Windows	Windows 7/8/10, Windows 10 IoT
Linux	Ubuntu
MECHANICAL	
Weight	4 kg
Mounting	Panel Mounting, VESA Mounting
Dimensions (W x H x D)	402.3 (W) X 301.3(H) X 87.6 (D)
POWER	
Input Voltage	12~26 VDC
Power Consumption	25W max
APPROVALS	
CE	Yes
RoHS	Yes

DIMENSIONS



ORDERING INFORMATION

BAREBONE HARDWARE

Part Number	Description
PC6150	15" Industrial Panel PC barebone (No SSD, No RAM, No OS)

SSD MLC (OPTIONAL)

Part Number	Description
SM-01	Transcend 32GB SSD MLC
SM-02	Transcend 64GB SSD MLC
SM-03	Transcend 128GB SSD MLC
SM-04	Transcend 256GB SSD MLC
SM-05	Transcend 512GB SSD MLC
SM-06	Transcend 1TB SSD MLC

SSD SLC (OPTIONAL)

Part Number	Description
SS-01	Transcend 16GB SSD SLC
SS-02	Transcend 32GB SSD SLC
SS-03	Transcend 64GB SSD SLC
SS-04	Transcend 128GB SSD SLC
SS-05	Transcend 256GB SSD SLC

RAM (OPTIONAL)

Part Number	Description
IR-01	Transcend 2GB DDR3L RAM
IR-02	Transcend 4GB DDR3L RAM
IR-03	Transcend 8GB DDR3L RAM



HEAD OFFICE

Survey No. 2/6, Baner Road,
Pune - 411045, India.
Tel : +91 20 2729 2840 - 46
Email : info@renewelectronics.com

FACTORY

Gat No. 1163, Ghotawade,
Tal - Mulshi, Pune - 412115, India.
Tel: +91 20 6687 2900

REGIONAL OFFICES

- Ahmedabad
- Bangalore
- Chennai
- Coimbatore
- Hyderabad
- Mumbai
- New Delhi

OVERSEAS DISTRIBUTORS

- USA
- Europe
- Asia Pacific