



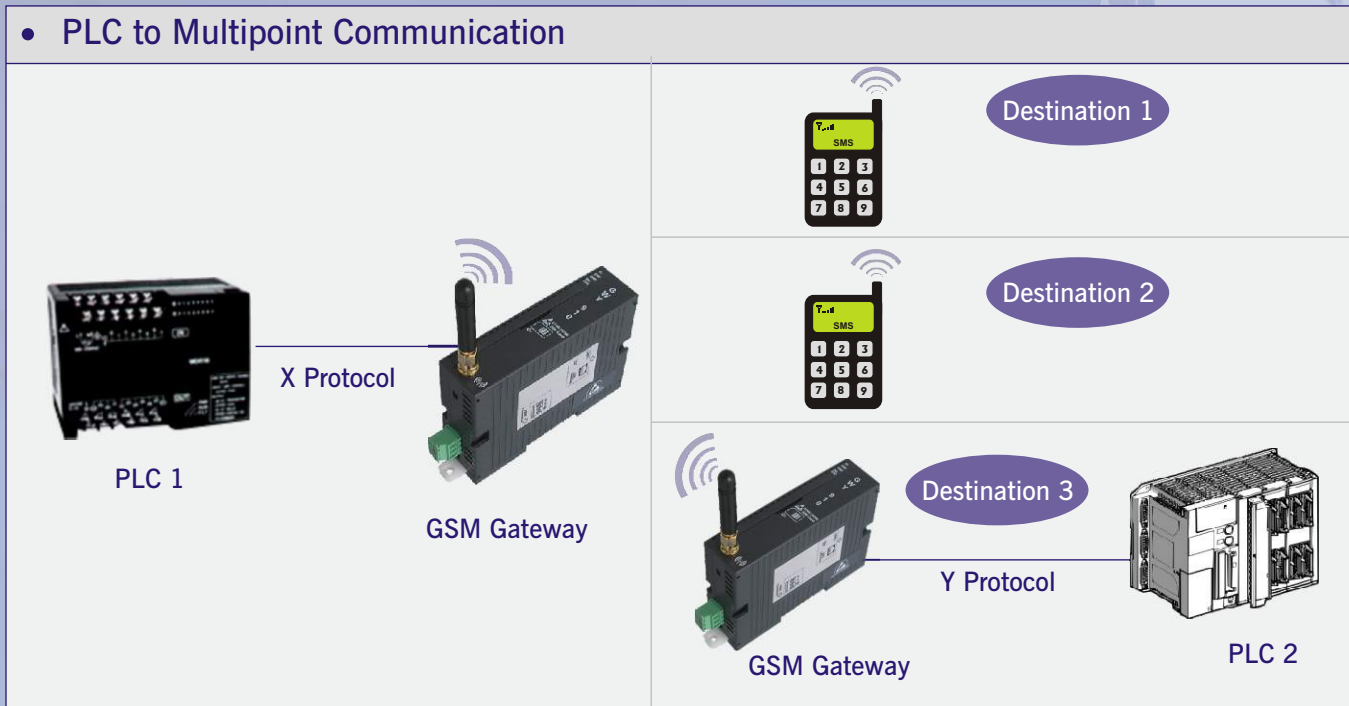
Programmable GSM Gateway

Salient Features :-

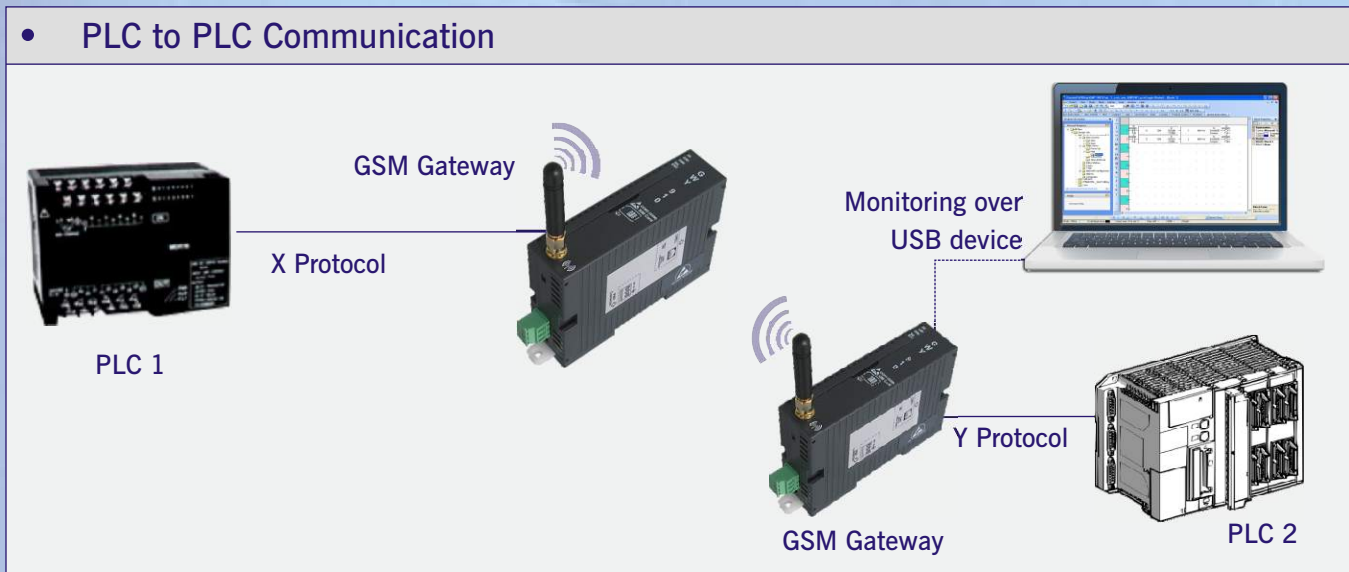
- DIN Rail or Panel Mounted compact Protocol Converter
- Hardware with two communication ports
COM1: RS232 / 2 or 4 wire RS485
COM2: GSM Port
Micro USB: download / upload / monitoring ladder, application and firmware
- Allows data monitoring / sharing for PLCs, Inverters, Controllers and other network devices using Short Message Service (SMS)
- Common model for connecting different devices. Several PLC and Inverters can be supported.
- Configurable for multiple Destination Number (SIM) through software
- Connects PLC / Drive on GSM Network
- Supports GSM Quad Band frequencies 850/900/1800/1900 MHz
- CE, UL certification. RoHS compliant
- Supports IEC61131-3 programming environment
- Common Programming software FlexiSoft® ...FREE!!

Possible Applications :-

• PLC to Multipoint Communication



• PLC to PLC Communication



• Add IO to PLC



Operations :-

GWY-910 is a Data monitor / sharer for devices like PLCs, Inverters, Controllers etc. GWY-910 has a serial port, that connects to a serial device and a GSM port that connects to GSM network. Gateway communicates with a device to send the information required by the other device, or to get the information from other device using Short Message Service (SMS).

User can configure text SMS while configuring application using FlexiSoft® software. These SMS could be simple text messages or Alarms for serial device/s connected on serial port.

Communication Ports: The GWY-910 has communication port COM1 that supports RS232 / RS485 levels. User can use this port to connect devices like PLCs, Inverters, Controllers etc. and also used to download application, ladder & firmware. Communication port COM2 is internally connected to GSM Module.

It has USB device port to download firmware, application and ladder; to upload application and ladder and for online ladder monitoring

Configuration Software: FlexiSoft® is a compact; Windows® based software to configure the GWY-910 units. User friendly configuration tools and easy approach, helps user to create applications quickly and easily.

To get started with GWY-910, user needs:

1. GWY-910 unit
2. FlexiSoft® Software
3. IBM Cable (Part code: IBM-H-005-00)
4. USB Cable A to B
5. Optional Wireless antenna (Part Code: TG.22.0111)

OS requirements for FlexiSoft® are:

Windows Version: Microsoft Windows® 2000 or above

Supported Tasks in GWY-910 :-

Screen is convention for SMS Screens in software, where user can write predefine Text Message. Tasks supported are as follow-

- Go to Screen
- Go to Previous Screen
- Go to Next Screen
- Switch Screen from Tag
- Write value to Tag
- Add a constant value to Tag
- Subtract a constant value from Tag
- Add Tag B to Tag A
- Subtract Tag B to Tag A
- Turn Bit On
- Turn Bit Off
- Toggle Bit
- Copy Tag B to Tag A
- Swap Tag A and Tag B
- Copy HMI block to HMI/PLC block
- Copy HMI/PLC block to HMI block
- Wait While
- Delay

Protocols Supported for :-

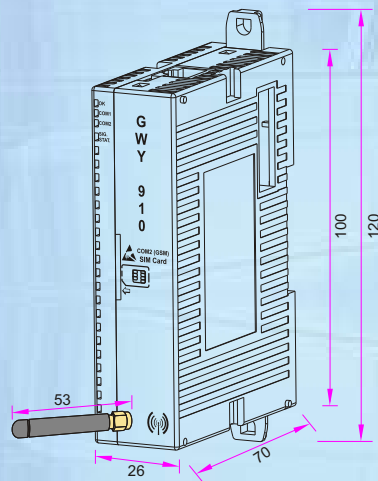
| Driver | GWY-910 |
|--------------------|---------|
| ABB | ✓ |
| Allen Bradley DF1 | ✓ |
| Aromat FP Series | ✓ |
| Baldor | ✓ |
| Danfoss Drive | ✓ |
| Delta | ✓ |
| Fatek | ✓ |
| GE SNP | ✓ |
| GE SNP-X | ✓ |
| Idec | ✓ |
| LG Master K series | ✓ |
| LG Master-K 300S | ✓ |

| Driver | GWY-910 |
|---------------------------------|---------|
| Mitsubishi FX | ✓ |
| Modbus ASCII (Unit as Master) | ✓ |
| Modbus RTU (Unit as Master) | ✓ |
| Modbus RTU (Unit as Slave) | ✓ |
| Siemens Gas Analyser (Master) | ✓ |
| Serial Monitor | ✓ |
| Toshiba (Link Port) Series PLCs | ✓ |
| Toshiba Inverters PLC | ✓ |
| Toshiba T Series | ✓ |
| Twido | ✓ |
| Unitelway | ✓ |
| Universal Serial (ASCII) | ✓ |

Specifications :-

| | | |
|-----------------------|---|---|
| Power | : | +24V DC \pm 10%, 10 W max incase of Send / Receive SMS 4 W incase of normal mode |
| LED's | : | 4 LED's for status indication |
| Communication Ports | : | |
| COM1 (RJ 45) | : | RS232 / RS485 Connects to PC for setup download or connects to PLC at runtime. |
| COM2 | : | GSM Port (Internally connected to GSM Module) |
| Micro USB Device | : | For download, upload and online monitoring |
| Operating Temperature | : | 0° to +60°C |
| Storage Temperature | : | -20° to +80° C |
| Humidity | : | 10% to 90% (Non condensing) |
| Mounting | : | DIN rail or back panel mounting |
| Dimensions (mm) | : | 100mm(H) X 26mm(W) X 70mm(D) |
| Weight | : | 150 gm approx. |
| Certifications | : | CE, UL, RoHS compliant |

Dimensions :-



All dimensions are in mm.

Please contact factory for more information. We welcome an opportunity to develop new, custom drivers and customized units.



Head Office

Survey No. 2/6, Baner Road, Pune - 411045, India.

Tel : +91 20 2729 2840 Fax : +91 20 2729 2839

Email : info@renuelectronics.com

Website: www.renuelectronics.com

An ISO 9001 : 2008 and ISO 14001 : 2004 certified company

(Preliminary Datasheet. Specifications subject to change without prior notice. DS-GWY910-GSM: Rev. B)