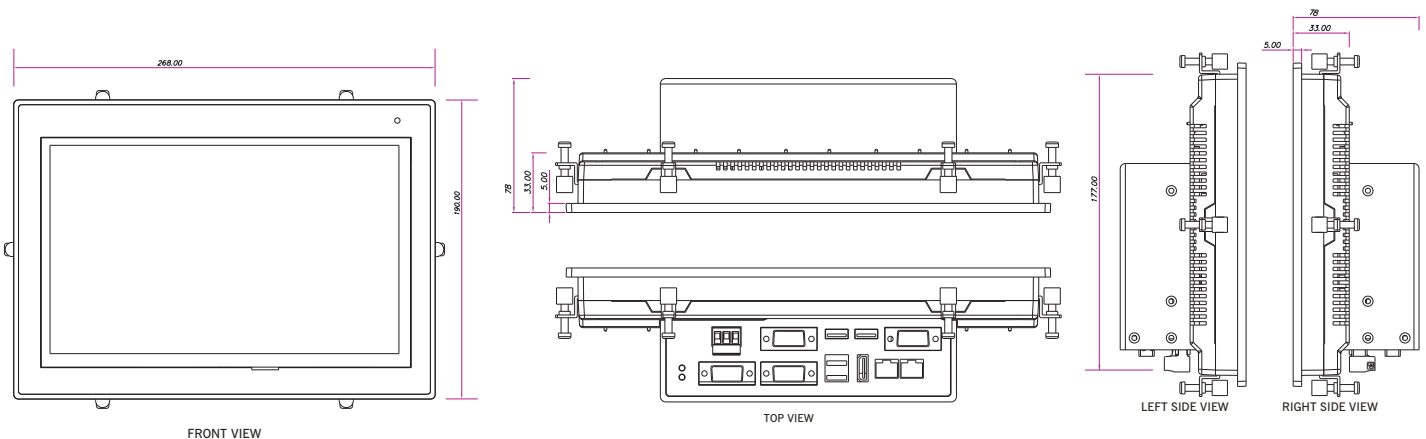


TOUCHSCREEN	
Light Transmission	>80%
Type	Analog Resistive
HARDWARE MONITOR	
Watchdog Timer	1 sec to 65535 sec
EXPANSION SLOTS	
Slots	1 x mPCIe (half size), 1 x mPCIe (full size)
INTERFACES	
Serial Ports	1 x RS-232, 1x RS-232 / RS-422 / RS-485
Ethernet	2 x 10/100/1000 Mbps
USB	1 x USB 3.0, 3 x USB 2.0
External Display	1 x HDMI (up to 1920 x 1200), 1 x VGA
ENVIRONMENT	
Operating Temperature	0°~50°C
Storage Temperature	-40°~75°C
Humidity	10%~90% RH(non condensing)
Ingress Protection	IP66 for front panel mounting
Vibration Protection	5~150 Hz, 1g peak, (X, Y, Z)
SUPPORTED OPERATING SYSTEM	
Windows	Windows® 7/8/10, Windows® 10 IoT
MECHANICAL	
Weight	1.5 kg
Mounting	Panel Mounting
Dimensions (W x H x D)	268 x 190 x 78 mm
POWER	
Input Voltage	12~26 VDC
Power Consumption	14W max
APPROVALS	
CE	Yes
RoHS	Yes

DIMENSIONS



ORDERING INFORMATION

BAREBONE HARDWARE	
Part Number	Description
PC6101	10.1" Industrial Panel PC barebone (No SSD, No RAM, No OS)
SSD MLC (OPTIONAL)	
Part Number	Description
SM-01	Transcend® 32GB SSD MLC
SM-02	Transcend® 64GB SSD MLC
SM-03	Transcend® 128GB SSD MLC
SM-04	Transcend® 256GB SSD MLC
SM-05	Transcend® 512GB SSD MLC
SM-06	Transcend® 1TB SSD MLC
SSD SLC (OPTIONAL)	
Part Number	Description
SS-01	Transcend® 16GB SSD SLC
SS-02	Transcend® 32GB SSD SLC
SS-03	Transcend® 64GB SSD SLC
SS-04	Transcend® 128GB SSD SLC
SS-05	Transcend® 256GB SSD SLC
RAM (OPTIONAL)	
Part Number	Description
IR-01	Transcend® 2GB DDR3L RAM
IR-02	Transcend® 4GB DDR3L RAM
IR-03	Transcend® 8GB DDR3L RAM

Disclaimer:

Microsoft®, Windows® are either registered trademarks or trademarks of Microsoft® Corporation in the United States and/or other countries.

Transcend® is registered trademark of Transcend Information, Inc.

All other products, brand names, company names and logos used here-in are for identification purposes only and are trademarks of their respective owners.



HEAD OFFICE

Survey No. 2/6, Baner Road,
Pune - 411045, India.
Tel : +91 20 2729 2840 - 46
Email : info@renuelectronics.com

FACTORY

Gat No. 1163, Ghotawade,
Tal - Mulshi, Pune - 412115, India.
Tel: +91 20 6687 2900

REGIONAL OFFICES

- Ahmedabad
- Bangalore
- Chennai
- Coimbatore
- Hyderabad
- Mumbai
- New Delhi

OVERSEAS DISTRIBUTORS

- USA
- Europe
- Asia Pacific

(Preliminary Datasheet. Specifications subject to change without prior notice. DS-PC6101-Series-Fanless-Panel-PC-Rev.C)